

**BIDDING DOCUMENT  
FOR  
GIRLS HOSTEL CANTEEN AND MAINTENANCE  
AGRICULTURE AND FORESTRY UNIVERSITY  
HETAUDA, MAKWANPUR**

**ID NO. : 03/074/075**



**June, 2018**

## **Table of Contents**

<b>Section II. Instructions to Bidders.....</b>	<b>Error! Bookmark not defined.</b>
<b>Section III. Sample Forms of Bid, Qualification .....</b>	<b>15</b>
<b>Information, Letter of Acceptance and Agreement.....</b>	<b>15</b>
<b>Section IV. General Conditions of Contract (GCC) .....</b>	<b>21</b>
<b>Section V: Special Conditions of Contract (SCC) .....</b>	<b>34</b>
<b>Section VI. Technical Specification .....</b>	<b>36</b>
<b>Section VII. Drawings.....</b>	<b>37</b>
<b>Section VIII. Bill of Quantities .....</b>	<b>Error! Bookmark not defined.</b>
<b>Section IX. Forms of Securities .....</b>	<b>50</b>
<b>Section X. Rules for Adjudication .....</b>	<b>54</b>



# Agriculture and Forestry University

## Faculty of Forestry

### Invitation for Bid

First date of publication: 2075/08/05

1. Agriculture and Forestry University (AFU), Faculty of Forestry, Hetauda, Makwanpur has made allocated funds towards the cost of construction of **Girls Hostel Canteen and maintenance** at Hetauda, Makwanpur to cover eligible payments under the contract Identification No. IFB 03/074/075.
2. Agriculture and Forestry University (AFU), Faculty of Forestry, Hetauda, Makwanpur invites electronic bids from eligible bidders for the **Girls Hostel Canteen and maintenance** at Hetauda, Makwanpur under National competitive Bidding procedures.
3. Eligible Bidders may obtain further information and inspect the Bidding Documents at the Faculty of Forestry, Hetauda, Makwanpur of AFU may visit the website [www.afu.edu.np](http://www.afu.edu.np)
4. Eligible bidders shall submit their bid electronically. Bidders to submit their bid electronically may download the bidding documents till 12:00 Noon 31st Day of first publication of this notice from AFU's web site [www.afu.edu.np](http://www.afu.edu.np). Bidders downloading the Bid Document should deposit a non refundable fee of NRs. 2,000.00 (Nepalese Rupees Two Thousand only) of bidding document in the account as specified below and the scanned copy (pdf format) of the Bank voucher, Registration, VAT Registration, Tax Clearance Certificate of Fiscal year 2074/075 and other necessary documents shall be uploaded by the bidder at the time of electronic submission of the bids. Payment shall be in the form of cash deposit voucher in **Rastriya Banijya Bank A/c no: 130000329601**.
5. The accepted bids shall be opened at Agriculture and Forestry University (AFU), Faculty of Forestry, Hetauda, Makwanpur in the presence of the bidder's representatives shall not hinder the opening of the bids. Hard copy of bids shall be submitted within seven days after the opening of bids.
6. If the specified date for bid opening falls on government holiday then the same time on the next working day shall be considered for such events.
7. All bids shall be accompanied by a bid security of 2.5% of Bidding Amount. If bidder wishes to submit the Bid Security in the form of cash, the cash should be deposited in **Rastriya Banijya Bank A/C**. a bid bond issued by A class commercial bank approved by Nepal Rastra Bank valid for 30 days beyond bid validity period of 90 days.
8. Maximum number of J/V partner shall not be more than two.
9. The matters not specified in this notice and Bidding document shall be in accordance with the prevailing laws (Public Procurement Act, 2063 and Public Procurement Regulations, 2064) of Nepal and Financial Rule, 2069 of Agriculture and Forestry University.
10. The employer reserves the right to accept or reject the bid wholly or partly any or all application or bids without assigning any reason, what so ever.

Identification No.	Description of work	Cost Estimate with VAT	Bid bond (security) Nrs.	Bid Document cost Nrs.	Last date of Submission	Bid opening Date
IFB 03/074/075	Girls Hostel canteen and maintenance	2581496.75/-	64538/-	2000/-	30 <sup>th</sup> day at 12:00 Noon	31 <sup>st</sup> day at 14:00 Noon



*Balram*  
**Dean**  
Faculty of Forestry  
Hetauda, Nepal

### ***Notes on the Instructions to Bidders***

*This section of the bidding documents should provide the information necessary for Bidders to prepare responsive bids, in accordance with the requirements of the Employer. It should also give information on bid submission, opening and evaluation, and award of Contract.*

*These Instructions to Bidders shall not be part of the Contract and shall cease to have effect once the Contract is signed.*

## Instructions to Bidders

### A. General

1. **Scope of Works** The Employer invites bids for the contraction of works as detailed in attached specifications, drawings and the bill of quantities provided herein. The successful Bidder is expected to complete the works as mentioned in the Bidding Data.
2. **Eligible Bidder** This Invitation for Bids is open to all registered Bidders with qualifications as described in the Bidding Data.
3. **One Bid per Bidder** Each Bidder shall submit only one bid, either individually or as a partner in a joint venture. A Bidder who submits or participates in more than one bid shall cause all the proposals with the Bidder's participation to be disqualified. A firm may participate in more than one bid only as a subcontractor.
4. **Cost of Bidding** The Bidder shall bear all costs associated with the preparation and submission of his bid and the Employer shall in no case be liable for those costs.
5. **Site Visit** The Bidder at his own cost, responsibility and risk may visit the site of the works and acquire all necessary information for preparing the bid and entering into a contract for construction of the works.

### B. Bidding Documents

6. **Content of Bidding Documents** The Bidding Documents comprise the documents listed below:  
Section
  - I. Invitation for Bids
  - II. Instructions to Bidders
  - III. Sample Forms of Bid, Letter of Acceptance and Agreement
  - IV. General Conditions of Contract (GCC)
  - V. Special Conditions of Contract (SCC)
  - VI. Technical Specifications
  - VII. Drawings
  - VIII. Bill of Quantities
  - IX. Sample Forms of Securities
7. **Clarification of Bidding Documents** A prospective Bidder may request clarification on the bidding documents in writing and the Employer shall respond to such request. Copies of the response shall be forwarded to all the purchasers of the bidding documents.

#### Preparation of Bids

- C. All documents relating to the bid shall be in English or in Nepali.

8. **Language of Bid** The bid by the Bidder shall comprise the following:
  - a. Bid and Qualification/ Eligibility Information
  - b. Bid Security
  - c. Priced Bill of Quantities
  - d. Rate Analysis (optional at request of Employer)
9. **Documents Comprising Bid**

10. **Bid Prices** The contract shall be for the whole works described in scope of works based on the priced bill of quantities submitted by the bidders. The bidder shall fill in rates and prices for all items of the works in Nepali rupees. Items for which no rate or price is entered shall be deemed covered by the other rates and prices in the bill of quantities and shall

Nepali rupees. Items for which no rate or price is entered shall be deemed covered by the other rates and prices in the bill of quantities and shall not be paid by the employer.

All duties, taxes and others levies payable by the contractor under the contract shall be included in the rates, prices and total bid price submitted by the bidder.

**11. Bid validity** The bid shall remain valid for the period specified in the bidding data.

**12. Bid security** The bidder shall furnish a bid security in Nepali rupees in the amount specified in the bidding data. The bid security shall remain valid for a period of 30 days beyond the original validity period bid and any period of extension subsequently requested by the employer.

The bid security shall be in the form of a bank guarantee from a bank acceptable to the employer or a cash voucher deposited in the bank account of the employer specified in the bidding data.

**13. format and signing of Bids** One original and one duplicate copy of the bid shall be typed or written in indelible ink and shall be signed by a person or persons duly authorized to sign on behalf of the Bidder. This authorization shall consist of a written confirmation as specified in the Bidding Data and shall be attached to the bid. The name and position held by each person signing the authorization must be typed or printed below the signature. Any entries or amendments including alternations, additions or corrections made shall be initialed by the same authorized person.

## **D Submission of Bids**

**14. sealing and marking of bids** a. The Bidder shall submit one original and a duplicate copy of the bid. These bids shall be placed in sealed envelopes. Both the sealed envelopes shall be placed in an outer envelope which shall also be sealed. The inner envelopes shall duly be marked as 'Original' and 'Copy'. The envelopes shall be addressed to the Employer at the address provided in the Bidding Data and bear the name and identification number of the contract.

b. bidder submitting bids electronically shall follow the electronic bids submission procedures specified in the BDS

**15. Pre-bid meetings** A Pre-Bid meeting if provided for in the Bidding Data shall be held at least 10 days before the bid submission date at the place, date and time as mentioned in the Bidding Data. Any amendment to be made in the Bid subsequent to the Pre-bid meeting shall be issued within 5 days of the meeting and the Addendum shall be circulated to all the purchasers of the Bidding Document, The Addendum thus issued shall be a part of the Bidding document.

**16. Deadline for submission of bids** Bids shall be delivered to the Employer at the address no later than the time and date specified in the Bidding Data.

**17. late bids** Any bid received by the Employer after the deadline shall not be accepted and shall be returned unopened to the Bidder.

**18. modification and withdrawal of bids** 18.1 Bidders may modify or withdraw their Bids after it has been submitted by giving a written notice, duly signed by an Authorized representative and shall include a copy of the authorization in accordance with Clause 13 before the deadline prescribed in Clause 16. The corresponding modification of the bid must accompany the respective written notice.

18.2 Each Bidder's modification or withdrawal notice shall be prepared, sealed, marked, and delivered in accordance with Clauses 16 with the outer and inner envelopes additionally marked "MODIFICATION" or "WITHDRAWAL," as appropriate.

18.3 No bid may be modified after the deadline for submission of Bids.

## **E. Bid Opening and Evaluation**

### **19. Bid Opening**

The Employer shall open the bids in the presence of the Bidders' representatives who choose to attend at the time and in the place specified in the Bidding Data.

The Bidders' names, the Bid Prices, the total amount of each bid, any discounts, bid modifications and withdrawals, the presence or absence of Bid Security, difference of rate in words and figures, quoted price for alternate technical specification if proposed, whether the Bid Form has signature of the bidder or authorized representative, corrections/effacement or obliteration in bidding document, any remarks made by the bidder in the Bid Form, details of rates if requested and such other details as the Employer may consider appropriate shall be announced by the Employer at the opening.

The Employer shall prepare and provide minutes of the bid opening including the information disclosed to those present.

### **20. Process to be Confidential**

Information relating to the examination, clarification, evaluation and comparison of bids and recommendations for the award of a contract shall not be disclosed to Bidders or any other persons not officially concerned with such process until the award to the successful Bidder has been announced.

### **21. Clarification of Bids and Contacting the Employer**

21.1 To assist in the examination, evaluation and comparison of Bids, the Employer may, at the Employer's discretion, ask any Bidder for clarification of the Bidder's bid, including breakdowns of unit rates. The request for clarification and the response shall be in writing or by facsimile, but no change in the price or substance of the bid shall be sought, offered, or permitted except as required to confirm the correction of arithmetic errors discovered by the Employer in the evaluation of the Bids in accordance with Clause 23.

21.2 Subject to Sub-Clause 21.1, no Bidder shall contact the Employer on any matter relating to his bid from the time of the bid opening to the time the contract is awarded. If the Bidder wishes to bring additional information to the notice of the Employer, he should do so in writing.

21.3 Any efforts by the Bidder to influence the Employer in the Employer's bid evaluation, bid comparison or contract award decisions may result in the rejection of the Bidder's bid.

22. Examination of Bids and Determination of Responsiveness

- 22.1 Prior to the detailed evaluation of Bids, the Employer shall determine whether each bid (a) meets the eligibility criteria defined in Clause 2; (b) has been properly signed; (c) is accompanied by the required securities; and (d) is substantially responsive to the requirements of the Bidding documents.
- 22.2 A substantially responsive bid is one which conforms to all the terms, conditions, and specifications of the Bidding documents, without material deviation or reservation. A material deviation or reservation is one (a) which affects in any substantial way the scope, quality, or performance of the Works; (b) which limits in any substantial way, inconsistent with the Bidding documents, the Employer's rights or the Bidder's obligations under the Contract; or (c) whose rectification would affect unfairly the competitive position of other Bidders presenting substantially responsive Bids.
- 22.3 If a bid is not substantially responsive, it shall be rejected by the Employer, and may not subsequently be made responsive by correction or withdrawal of the nonconforming deviation or reservation.

**23. Correction of Errors**

- 23.1 Bids determined to be substantially responsive shall be checked by the Employer for any arithmetic errors. Errors shall be corrected by the Employer as follows:
- a where there is a discrepancy between the amounts in figures and in words, the amount in words shall govern; And
  - b where there is a discrepancy between the unit rate and the line item total resulting from multiplying the unit rate by the quantity, the unit rate as quoted shall govern, unless in the opinion of the Employer there is an obviously gross misplacement of the decimal point in the unit rate, in which case the line item total as quoted shall govern, and the unit rate shall be corrected.
- 23.2 The amount stated in the bid shall be adjusted by the Employer in accordance with the above procedure for the correction of errors and, with the concurrence of the Bidder, shall be considered as binding upon the Bidder. If the Bidder does not accept the corrected amount, the bid shall be rejected and the Bid Security may be forfeited.

**24. Evaluation and Comparison of Bids**

- 24.1 The Employer shall evaluate and compare only the Bids determined to be substantially responsive in accordance with Clause 23.
- 24.2 Further the employer shall evaluate :
- a) Whether the construction work plan, work performance schedule and mobilization period is consistent with the requirement of the bidding document or not,
  - b) Whether the quoted item unit rates in the Bill of quantities are reliable or not,
  - c) Whether or not the quoted price is unbalanced due to unnaturally high rates quoted by the bidder for work items to be completed in the initial stages of the contract or for work items whose quantities are assumed by the bidder to be underestimated.
- 24.3 In evaluating the Bids, the Employer shall determine for each



bid the evaluated Bid Price by adjusting any corrections for errors pursuant to Clause 23;

24.4 The Employer reserves the right to accept or reject any variation deviation or alternative offer. Variations, deviations, and alternative offers and other factors which are in excess of the requirements of the Bidding documents or otherwise result in unsolicited benefits for the Employer will not be taken into account in bid evaluation.

24.5 If the bid, which results in the lowest Evaluated Bid price, is unbalanced or frontloaded in relation to the Employer's estimate of the items of Work to be performed under the contract pursuant to Sub - Clause 24.2 ,the Employer shall ask the bidder to give clarification with detailed rate analysis for any or all items of the Bill of Quantities. If the clarification is found satisfactory then the Employer shall increase at the expense of the bidder the performance security set forth in clause 28 by additional 8% of the quoted amount to protect the Employer against financial loss in the event of default of the successful bidder under the contract and if the clarification is found unsatisfactory then the Employer may reject such bid.

-

## **F. Award of Contract**

### **25. Award of Contract**

The Employer shall award the contract to the Bidder who has offered the lowest evaluated Bid Price, provided that such Bidder has been determined to be eligible in accordance with the provisions of Clause 2.

### **26. Employer's Right to Accept any Bid and to Reject any or all Bids**

The Employer reserves the right to accept or reject any bid and to cancel the bidding process and reject all bids, at any time prior to the award of the contract, without assigning any reasons whatsoever and without thereby incurring any liability to the affected Bidder or Bidders.

### **27. Notification of Award and Signing of Agreement**

27.1 The Employer shall notify it's intention to award the Contract to the successful bidder in accordance with Clause 25 prior to the expiration of the bid validity period and within 7 days of acceptance of his bid. This notification (called the "Letter of Acceptance") shall state the sum that the Employer shall pay the Bidder in consideration of the execution, completion, and maintenance of the works as described by the contract. The employer shall also provide information regarding the name, address and the contract amount of the successful bidder to all bidders who participated in the bid.

27.2 Any Bidder who is not satisfied with the procurement process or Employer's decision as per Sub - Clause 27.1 and believes that the Employer has committed an error or breach of duty which has or will result in loss to the bidder then the bidder may give an application for review of the decision to the Employer with reference to the error or breach of duty committed by the Employer. The review application should be given within 7 days of receipt of information regarding issue of Letter of Acceptance by the Employer to the successful bidder.

27.3 If the review application is not received by the Employer as per

clause 27.2 then the bid of the Bidder selected as per clause 25 shall be accepted by the Employer and the successful bidder shall be notified by the Employer to submit Performance security as per clause 28, within 15 days for signing of an Agreement.

27.4 If the successful bidder fails to deliver the Performance Security and sign the Agreement pursuant to Sub - Clause 27.3 then the Employer shall forfeit the Bid Security of the bidder and accept the bid of immediately next lowest evaluated substantially responsive bidder.

**28. Performance Security**

Within 15 days after receipt of the Letter of Acceptance, the successful Bidder shall deliver to the Employer a Performance Security in acceptable format to the Employer as specified in Section IX and equal to five percent (5%) of the contract Agreement Amount.

29. Advance Payment

The Employer may provide an Advance Payment on the Initial Contract Price as stipulated in the Letter of Acceptance, subject to a maximum amount as stated in the Bidding Data.

30. Additional Securities

The Contractor shall provide additional Performance Security pursuant to Sub -Cause 24.5

**31. Adjudicator**

The Employer proposes the person named in the Bidding Data to be appointed as Adjudicator under the Contract, at the hourly fee specified in the Bidding Data, plus reimbursable expenses. If the Bidder disagrees with this proposal, the Bidder should so state in his Bid. If, in the Letter of Acceptance, the Employer does not agree on the appointment of the Adjudicator, the Employer will request the Appointing Authority designated in the Contract Data at the request of either party.

32. Conduct of Bidders

32.1 The Bidder shall be responsible to fulfill his obligations as per the requirement of the Contract Agreement, Bidding documents, GoN's Procurement Act and Regulations.

32.2 The Bidder shall not carry out or cause to carry out the following acts with an intention to influence the implementation of the procurement process or the procurement agreement :

- a) give or propose improper inducement directly or indirectly,
- b) distortion or misrepresentation of facts
- c) engaging or being involved in corrupt or fraudulent practice
- d) interference in participation of other prospective bidders.
- e) coercion or threatening directly or indirectly to cause harm to the person or the property of any person to be involved in the procurement proceedings,
- f) collusive practice among bidders before or after submission of bids for distribution of works among bidders or fixing artificial/uncompetitive bid price with an intention to deprive the Employer the benefit of open competitive bid price..
- g) contacting the Employer with an intention to influence the Employer with regards to the bid or interference of any kind in examination and evaluation of the bids during the period

after opening of bids up to the notification of award of Contract

33. Blacklisting Bidder

33.1 Without prejudice to any other right of the Employer under this Contract, GoN, Public Procurement Monitoring Office may blacklist a bidder for his conduct up to three years on the following grounds and seriousness of the act committed by the bidder:

- a) if it is proved that the bidder committed acts pursuant to the Sub - Clause 32.2,
- b) if the bidder fails to sign an agreement pursuant to Sub - Clause 27.4,
- c) if it is proved later that the bidder/contractor had committed substantial defect in implementation of the contract or had not substantially fulfilled his obligations under the contract or the completed work is not of the specified quality as per the contract ,
- d) if convicted by a court of law in a criminal offence which disqualifies the bidder from participating in the contract.
- e) if it is proved that the contract agreement signed by the bidder was based on false or misrepresentation of bidder's qualification information,
- f) other acts mentioned in the Bidding Data

33.2 A firm declared blacklisted and ineligible by the GoN shall be ineligible to bid for a contract during the period of time determined by the PPMO.

## G. Bidding Data

### Instruction to Bidders Clause References

#### A. General

ITB 1	<p>The Employer is: <i>Agriculture and Forestry University, Faculty of Forestry, Hetauda, Makwanpur</i></p> <p>The Scope of Work: <b>Girls Hostel Canteen and maintenance</b></p>
ITB 2	<p>Bidder's Eligibility Requirement:</p> <ol style="list-style-type: none"> <li>a) Firm's Registration Certificate</li> <li>b) Business Registration License or Works Contractor's License</li> <li>c) VAT and PAN Registration Certificates</li> <li>d) Tax Clearance Certificate for FY 2074/75</li> <li>e) A written declaration made by the Bidder stating that the Bidder is not ineligible to participate in the Bid; has no conflict of interest in the proposed bid procurement proceedings and has not been punished for the profession or businesses related offence.</li> <li>f) Joint Venture Authorization/ Agreement (if any)</li> <li>g) Power of Attorney</li> </ol>

#### B. Bidding Documents

ITB 7	<p>Employer's address for <b>clarification purposes</b> is:</p> <p><i>Procurement Unit Agriculture and Forestry University, Faculty of Forestry, Hetauda, Makwanpur</i></p> <p>Requests for clarification should be received by the Employer no later Than : <b>10 days before the final date of bid submission.</b></p>
-------	--

#### C. Preparation of Bids

ITB 8	<p>The language of the bid is: <i>English</i></p>
ITB 11	<p>The bid validity period shall be: <b>90 days from the final date of submission of Bid</b></p>
ITB 12	<p>Amount of Bid Security shall be: <b>2.5% of Bid amount (Including VAT)</b></p> <p>The validity period of bid security: <b>30 days after Bid Validity date</b></p> <p>The Bank Account of the Employer: <b>Account No: 130000329601</b></p> <p><i>Rastriya Banijya Bank, Hetauda, Nepal</i></p>
ITB 13	<p>The written confirmation of authorization to sign on behalf of the Bidder shall indicate:</p> <ol style="list-style-type: none"> <li>(a) <i>The name and description of the documentation required to demonstrate the authority of the signatory to sign the Bid such as a Power of Attorney; and</i></li> <li>(b) <i>In the case of Bids submitted by an existing or intended JV an undertaking</i></li> </ol>

	<i>signed by all parties (i) stating that all parties shall be jointly and severally liable, and (ii) nominating a Representative who shall have the authority to conduct all business for and on behalf of any and all the parties of the JV during the bidding process and, in the event the JV is awarded the Contract, during contract execution.”]</i>
--	---

**D. Submission of Bids**

<b>ITB 15</b>	A Pre-Bid meeting <i>shall not</i> take place.  If a Pre-Bid meeting will take place, it will be at the following date, time and place: <i>Not Applicable</i>
<b>ITB 16</b>	The Employer’s address for <b>bid submission purposes</b> is: <i>Agriculture and Forestry University, Faculty of Forestr, Hetauda, Makwanpu</i>  <b>The deadline for bid submission is:</b> Date: <b><u>20<sup>th</sup> Dec 2018 (05/09/2075)</u></b> Time: Before 12:00 Noon

**E. Bid Opening and Evaluation**

<b>ITB 19</b>	The bid opening shall take place at: Address: <i>Agriculture and Forestry University, Faculty of Forestry, Hetauda, Makwanpur</i>  Date: 31 <sup>st</sup> day from the publication of tender notice Time: 14:00 PM
---------------	--

**F. Award of Contract**

<b>ITB 29</b>	The Advance Payment amount shall be: <b>upto 15% of the Contract Amount against bank guarantee in two phases</b>
<b>ITB 31</b>	The Adjudicator proposed by the Employer is: <i>To be appointed by Nepal Council of Arbitration</i>  The hourly fee for this proposed Adjudicator shall be: NRS. 2500 per hour Brief biographical data of the proposed Adjudicator is as follows: <b>Shall be listed down later on.</b>

## **Section III. Sample Forms of Bid, Qualification Information, Letter of Acceptance and Agreement**

### ***Notes on Forms of Bid, Qualification Information, Letter of Acceptance and Agreement***

*The Agreement shall incorporate any corrections or modifications to the bid resulting from corrections of errors, price adjustment during the evaluation process, acceptable deviations or any other mutually-agreeable changes allowed for in the General Conditions.*

*The bid which the contractor has submitted to the Employer becomes part of the contract documents.*

*All the information with regard to the preparation of bid to meet the Employer's requirements shall be provided before issuing the bidding documents.*

*The contractor shall provide the remaining information by completing the form.*

## Form of Bid

We have examined the documents and offer to execute the Works in conformity with the Contract for the sum of ..... (in words) .....(in figures) or such other sum as may be ascertained under the contract.

This bid is submitted in one original and one duplicate copy.

[or]

We do not accept the appointment of ----- as the Adjudicator, and propose instead that [name] be appointed as Adjudicator, whose daily fees and biographical data are attached.

This bid shall remain binding until \_\_\_\_\_ [date]. This bid and your written acceptance of it shall constitute a binding contract between us.

We understand that the Employer is not bound to accept the lowest or any offer received for the Works.

Signature \_\_\_\_\_ Date: \_\_\_\_\_

Name : \_\_\_\_\_

Designation: \_\_\_\_\_

Authorized to sign on behalf of (organization name): \_\_\_\_\_

Office Stamp of the Organization: \_\_\_\_\_

—

# Eligibility Information

## Notes to Bidders

The information to be filled in by Bidders in the following pages shall be used for purposes of eligibility as provided for in Clause 2 of the Instructions to Bidders. This information shall not be incorporated in the Contract. Attach additional pages as necessary.

### 1. Eligibility Requirements:

All Bidders shall submit following documents as pre- requisites for eligibility:

- h)** Firm Registration Certificate
- i)** Place of Registration [*insert*..... ] Principal place of Business
- j)** [*insert address* .....]  
.....]
- k)** Business Registration License or Works Contractor's License [**attach copy**]
- l)** VAT and PAN Registration Certificates [**attach copy**]
- m)** Tax Clearance Certificate for FY 2073/74 [**attach copy**]
- n)** A written declaration made by the Bidder stating that the Bidder is not ineligible to participate in the Bid; has no conflict of interest in the proposed bid procurement proceedings and has not been punished for the profession or businesses related offence.
- o)** Joint Venture Authorization/ Agreement (if any)
- p)** Power of Attorney

### 2. Joint Ventures Requirements (if any)

- 2.1 Attach the power of attorney of the signatory (ies) of the bid authorizing signature of the bid on behalf of the joint venture.
- 2.2 Attach the Agreement among all partners of the joint venture (and which is legally binding on all partners), which shows that
  - (a) all partners shall be jointly and severally liable for the execution of the Contract in accordance with the Contract terms;
  - (b) one of the partners will be nominated as being in charge, authorized to incur liabilities, and receive instructions for and on behalf of any and all partners of the joint venture; and
  - (c) execution of the entire Contract, including payment, shall be done exclusively with the partner in charge.
  - (d) each joint venture partners shall provide details as per information listed in 1 above.



## Letter of Intention to Award

*(This letter should be in the letter-head of employer)*

### Notes on Letter of Intention to Award

*The issue of Letter of Intention to Award will be the basis of acceptance of bid by the Employer for issue of letter of Acceptance to the lowest evaluated Bidder and for providing information to other unsuccessful bidders who participated in the bid as regards to the outcome of the procurement process. This standard form of Letter of Intention to Award should be filled in and sent to the successful Bidder only after evaluation of Bids has been completed but before final acceptance of the Bid.*

Date:

To:

This is to notify you in accordance with the Instruction to Bidders that it is our intention to award the contract of **Girls Hostel Canteen and maintenance, Contract Identification No. IFB 03/2074/75**, as given in the Contract Data and/or SCC to you as your Bid price of the equivalent, of *[amount in numbers and words in Nepalese Rupees]*, as corrected and modified in accordance with the Instructions to Bidders, is determined to be substantially responsive and lowest evaluated Bid price.

Authorized Signature: \_\_\_\_\_

Name and Title of Signatory: \_\_\_\_\_

Name of Agency: \_\_\_\_\_

## Letter of Acceptance

*[Letterhead of the Employer]*

Date: \_\_\_\_\_

To: *[name and address of the contractor]*

This is to notify you that your bid dated *[date]* for execution of the **Girls Hostel Canteen and maintenance, Contract Identification No. IFB 03/074/075** as given in the *Invitation to Bid* for the Contract Price of *[insert the amount in Nepalese Rupees in numbers and words]* as corrected and modified in accordance with the Instructions to *Bidders* is hereby accepted by our Agency.

You are hereby instructed to contact our office *[Office address]* to sign the formal agreement on *[date]* at *[time]*. As per the *Instructions to Bidders* you are also required to submit *Performance Security*, as specified in the *SCC*, consisting of a *Bank Guarantee* in an approved format or *cash deposit voucher* in favor of the *Employer* in the *Employer's Bank account* as specified in the *SCC*.

*The Employer shall forfeit the bid security, in case you fail to furnish the Performance Security and to sign the contract.*

*Please convey your unconditional acceptance by signing on the original of this letter and submit the required Performance Security, at the time of formal agreement*

Authorized Signature: \_\_\_\_\_

Name: \_\_\_\_\_

Designation: \_\_\_\_\_

## Agreement

This Agreement, made the [day] day of [month], [year] between [name and address of Employer] (hereinafter called "the Employer") and [name and address of contractor] (hereinafter called "the contractor") of the other part.

Whereas the Employer is desirous that the contractor execute **Girls Hostel Canteen and maintenance** (hereinafter called "the Works") and the Employer has accepted the bid for \_\_\_\_\_ [insert the amount in Nepalese Rupees in numbers and words] by the contractor for the execution and completion of such Works and the remedying of any defects therein.

Now this Agreement witnessed as follows:

1. In this Agreement, words and expressions shall have the same meanings as are respectively assigned to them in the Conditions of Contract hereinafter referred to, and they shall be deemed to form and be read and construed as part of this Agreement.
2. In consideration of the payments to be made by the Employer to the contractor as hereinafter mentioned, the contractor hereby covenants with the Employer to execute and complete the Works and remedy any defects therein in conformity in all respects with the provisions of the Contract.
3. The Employer hereby covenants to pay the contractor in consideration of the execution and completion of the Works and the remedying of defects wherein, the Contract Price or such other sum as may become payable under the provisions of the Contract at the times and in the manner prescribed by the Contract.

In Witness whereof the parties thereto have caused this Agreement to be executed the day and year first before written.

The Common Seal of \_\_\_\_\_  
was hereunto affixed in the presence of: \_\_\_\_\_

Signed, Sealed, and Delivered by the said \_\_\_\_\_  
in the presence of: \_\_\_\_\_

Binding Signature of Employer \_\_\_\_\_

Binding Signature of Contractor \_\_\_\_\_

*[Addendum showing the corrections if any made during the bid evaluation should be attached with this agreement]*

## Section IV. General Conditions of Contract (GCC)

### 1. General Provisions

**1.1 Definitions** In the Contract as defined below, the words and expressions defined shall have the following meanings assigned to them, except where the context requires otherwise:

**The Contract** 1.1.1 “**Contract**” means the Agreement signed between the Employer and the contractor and the other documents listed in the Special Conditions of Contract (SCC).

1.1.2 “**Specification**” means the document as listed in the SCC, including Employer’s requirements in respect of design to be carried out by the contractor, if any, and any variation to such document.

1.1.3 “**Drawings**” means the Employer’s drawings of the Works as listed in the SCC, and any variation to such drawings.

1.1.4 “**Bill of Quantities**” means the priced and completed bill of quantities forming part of the Tender.

1.1.5 “**Bid or Tender**” means the contractor’s priced offer to the Employer for the execution and completion of the Works and the remedying of any defects therein in accordance with the provisions of the Contract, as accepted by the Letter of Acceptance.

1.1.6 “**Letter of Acceptance**” means the formal acceptance by the Employer of the **bid** or Tender.

**Persons** 1.1.7 “**Employer**” means the person named in the Agreement and the legal successors in title to this person, but not (except with the consent of the contractor) any assignee.

1.1.8 “**Contractor**” means the person named in the Agreement and the legal successors in title to this person, but not (except with the consent of the Employer) any assignee.

1.1.9 “**Party**” means either Employer or the contractor.

**Date, Times and Periods** 1.1.10 “**Commencement Date**” means the date 14 days after the date the Agreement comes into effect or any other date agreed between the Parties.

1.1.11 “**Day**” means a calendar day.

1.1.12 “**Time for Completion**” means the time for completing the Works as stated in the SCC (or as extended under Sub-Clause 7.3), calculated from the Commencement Date.

**Money and Payments** 1.1.13 “**Cost**” means all expenditure properly incurred (or to be incurred) by the contractor, whether on or off the Site, including overheads and similar charges, but does not include profit.

1.1.14 “**Contract Price**” is the price stated in the letter of Acceptance and thereafter as adjusted in accordance with the provisions of the Contract.

—

**Other  
Definitions**

- 1.1.15 "**Retention Money**" means the aggregate of all monies retained by the Employer pursuant to Sub-Clause 11.3.
- 1.1.16 "**Contractor's Equipment**" means all apparatus, machinery, vehicles, facilities and other things required for the execution of the Works but does not include Materials or Plant.
- 1.1.17 "**Country**" means Nepal.
- 1.1.18 "**Employer's Liabilities**" means those matters listed in Sub-Clause 6.1.
- 1.1.19 "**Force Majeure**" means an exceptional event or circumstance: which is beyond a Party's control; which such Party could not reasonably have provided against before entering into the Contract; which, having arisen, such Party could not reasonably have avoided or overcome; and, which is not substantially attributable to the other Party.
- 1.1.20 "**Materials**" means things of all kinds (other than Plant) intended to form or forming part of the permanent work.
- 1.1.21 "**Plant**" means the machinery and apparatus intended to form or forming part of the Permanent Works.
- 1.1.22 "**Site**" means the places provided by the Employer where the Works are to be executed, and any other places specified in the Contract as forming part of the Site.
- 1.1.23 "**Variation**" is an instruction given by the Employer which varies the Works pursuant to Sub-Clause 10.1
- 1.1.24 "**Works**" means all the work and design (if any) to be performed by the contractor including temporary work and any Variation.
- 1.1.25 "**Permanent Works**" means the permanent works to be executed (Including Plant) in accordance with the Contract.
- 1.1.26 "**Temporary Works**" means all temporary works of every kind (other than contractor's Equipment) required in or about the execution and completion of the Works and the remedying of any defects therein.
- 1.1.27 "**Adjudication**" means the procedure to be adopted by the contractor and the Employer in solving the dispute if it is not solved amicably pursuant to Sub-Clause 15.1.

**1.2 Interpretation**

Words importing persons or parties shall include firms and organizations. Words importing singular or one gender shall include plural or the other gender where the context requires.

**1.3 Priority of Documents**

The documents forming the Contract shall to be taken as mutually explanatory of one another. If an ambiguity or discrepancy is found in the documents, the Employer shall issue any necessary instructions to the contractor, and the priority of the documents shall be in accordance with the order as listed in the SCC.

—

- 1.4 Law** The law of the Contract is stated in the SCC.
- 1.5 Communications** Where provision is made for the giving or issue of any notice, instruction, or other communication by any person, unless otherwise specified such communication shall be written in the language stated in the SCC as shall not be unreasonably withheld or delayed.  
If a notice given pursuant to Sub-Clause 1.5 fails to be delivered due to failure to trace the address of the party then the notice shall be published as public notice in a National daily newspaper and when the notice is so published then the notice shall be considered to be delivered to the concerned party.
- 1.6 Statutory Obligations** The contractor shall comply with the laws of the countries where activities are performed. The contractor shall give all notices and pay all fees and other charges in respect of the Works.

## **2. The Employer**

- 2.1 Provision of Site** The Employer shall provide the Site and right of access thereto at the times stated in the SCC.
- 2.2 Permits and Licenses** The Employer shall, if requested by the contractor, assist him in applying for permits, licenses or approvals which are required for the Works.
- 2.3 Employer's Instructions** The contractor shall comply with all instructions given by the Employer in respect of the Works including the suspension of all or part of the Works.
- 2.4 Approvals** No approval or consent or absence of comment by the Employer or the Employer's representative shall affect the contractor's obligations.

## **3. Employer's Representatives**

- 3.1 Authorized Person** One of the Employer's personnel shall have authority to act for him. This authorized person shall be as stated in the SCC, or as otherwise notified by the Employer to the contractor.
- 3.2 Employer's Representative** The Employer may also appoint a firm or individual to carry out certain duties. The appointee may be named in the SCC, or notified by the Employer to the contractor from time to time. The Employer shall notify the contractor of the delegated duties and authority of this Employer's representative.

## **4. The Contractor**

- 4.1 General Obligations** The contractor shall carry out the Works properly and in accordance with the Contract. The contractor shall provide all supervision, labor, Materials, Plant and contractor's Equipment which may be required. All Materials and Plant on Site shall be deemed to be the property of the Employer.

During continuance of the of the contract, the contractor and his sub-contractors shall abide at all times by all labor laws, including child labor related enactments, and rules made there under.

A child who has not attained the age of fourteen (14) years shall not be employed in any work as a laborer.

- 4.2 Contractor's Representative** The contractor shall submit to the Employer for consent the name and particulars of the person authorized to receive instructions on behalf of the contractor.
- 4.3 Subcontracting** The contractor shall not subcontract the whole of the Works. The contractor shall not subcontract any part of the Works without the consent of the Employer.
- 4.4 Performance Security** As stated in the SCC, the Contractor shall deliver to the Employer no later than the date specified in the Letter of Acceptance.

## **5. Design by Contractor**

- 5.1 Contractor's Design** The contractor shall carry out design to the extent specified, as referred to in the SCC. The contractor shall promptly submit to the Employer all designs prepared by him. Within 15 days of receipt, the Employer shall notify any comments or, if the design submitted is not in accordance with the Contract, shall reject it stating the reasons. The contractor shall not construct any element of the permanent work designed by him within 15 days after the design has been submitted to the Employer or where the design for that element has been rejected. Design that has been rejected shall be promptly amended and resubmitted. The contractor shall resubmit all designs commented on taking these comments into account as necessary.
- 5.2 Responsibility for Design** The contractor shall remain responsible for his tendered design and the design under this Clause, both of which shall be fit for the intended purposes defined in the Contract and he shall also remain responsible for any infringement of any patent or copyright in respect of the same. The Employer shall be responsible for the Specification and Drawings.

## **6. Employer's Liabilities**

- 6.1 Employer's Liabilities** In this Contract, Employer's Liabilities mean:
- a. war, hostilities (whether war be declared or not), invasion, act of foreign enemies, within the Country,
  - b. rebellion, terrorism, revolution, insurrection, military or usurped power, or civil war, within the Country,
  - c. riot, commotion or disorder by persons other than the contractor's personnel and other employees, affecting the Site and/or the Works,
  - d. ionizing radiations, or contamination by radio-activity from any nuclear fuel, or from any nuclear waste from the combustion of nuclear fuel, radio-active toxic explosive, or other hazardous properties of any explosive nuclear assembly or nuclear component of such an assembly, except to the extent to which the contractor may be responsible for the use of any radio-active material,
  - e. pressure waves caused by aircraft or other aerial devices travelling at sonic or supersonic speeds,
  - f. use or occupation by the Employer of any part of the Works, except as may be specified in the Contract,
  - g. design of any part of the Works by the Employer's personnel or by others for whom the Employer is responsible,
  - h. any operation of the forces of nature affecting the Site and/or

the Works, which was unforeseeable or against which an experienced contractor could not reasonably have been expected to take precautions,

- i. Force Majeure,
- j. a suspension under Sub-Clause 2.3 unless it is attributable to the contractor's failure,
- k. any failure of the Employer,
- l. physical obstructions or physical conditions, other than climatic conditions, encountered on the Site during the performance of the Works, which obstructions or conditions were not reasonably foreseeable by an experienced contractor and which the contractor immediately notified to the Employer,
- m. any delay or disruption caused by any Variation,
- n. any change to the law of the Contract after the date of the contractor's offer as stated in the Agreement,
- o. losses arising out of the Employer's right to have the permanent work executed on, over, under, in or through any land, and to occupy this land for the permanent work, and
- p. damage which is an unavoidable result of the contractor's obligations to execute the Works and to remedy any defects.

## **7. Time for Completion**

- 7.1 Execution of the Works** The contractor shall commence the Works on the Commencement Date and shall proceed expeditiously and without delay and shall complete the Works within the Time for Completion.
- 7.2 Programme** The contractor shall submit to the Employer a programme for the Works within the time stated in the SCC
- 7.3 Extension of Time** Subject to Sub-Clause 10.3, the contractor shall be entitled to an extension to the Time for Completion if he is or shall be delayed by any of the Employer's Liabilities. The contractor shall submit an application to the Employer for extension of time, stating the causes for delay, 7 days before the expiry of the Contract completion date. On receipt of an application from the contractor, the Employer shall consider all supporting details provided by the contractor and shall extend the Time for Completion as appropriate.
- 7.4 Liquidated Damages for Delay** If the contractor fails to complete the Works within the Time for Completion, the contractor's only liability to the Employer for such failure shall be to pay the amount stated in the SCC for each day for which he fails to complete the Works. The total amount of Liquidated damages shall not exceed the amount stated in the SCC.
- 7.5 Bonus** The Contractor shall be paid a Bonus calculated at the rate per calendar day stated in the SCC for each day that the Completion is earlier than the date for Time of Completion. The Employer shall certify that the Works are complete, although they may not be due to be complete. The total amount of Bonus shall not exceed the amount stated in the SCC.



## **8. Taking-Over**

- 8.1 Completion** The contractor may notify the Employer when he considers that the Works are complete.
- 8.2 Taking-Over Notice** The Employer shall notify the contractor when he considers that the contractor has completed the Works stating the date accordingly. Alternatively, the Employer may notify the contractor that the Works, although not fully complete, are ready for taking over, stating the date accordingly.
- The Employer shall take over the Works upon the issue of this notice. The contractor shall promptly complete any outstanding work and, subject to Clause 9, clear the Site.

## **9. Remedying Defects**

- 9.1 Remedying Defects** The Employer may at any time prior to the expiry of the period stated in the SCC, notify the contractor of any defects or outstanding work. The contractor shall remedy at no cost to the Employer any defects due to the contractor's design, materials, plant or workmanship not being in accordance with the Contract.
- The cost of remedying defects attributable to any other cause shall be valued as a Variation. Failure to remedy any defects or complete outstanding work within a reasonable time of the Employer's notice shall entitle the Employer to carry out all necessary work at the contractor's cost.
- 9.2 Uncovering and Testing** The Employer may give instruction as to the uncovering and/or testing of any work. Unless as a result of any uncovering and/or testing it is established that the contractor's design, materials, plant or workmanship are not in accordance with the Contract, the Contractor shall be paid for such uncovering and/or testing as a Variation in accordance with Sub-Clause 10.2.

## **10. Variations and Claims**

- 10.1 Right to Vary** The Employer may instruct Variations to increase or decrease the quantity of work or addition of new items or substitution of items included in the contract, if determined necessary due to technical reason during implementation of the contract.
- 10.2 Valuation of Variations** Variations shall be valued as follows:
- a. where appropriate, at rates in the Contract, or
  - b. in the absence of appropriate rates, the rates in the Contract shall be used as the basis for valuation,
  - c. at appropriate new rates, as may be agreed or which the Employer considers appropriate, or
  - d. if the Employer so instructs, at day work rates set out in the SCC for which the contractor shall keep records of hours of labor and contractor's Equipment, and of Materials used.
- 10.3 Early Warning** A Party shall notify the other as soon as he is aware of any circumstance which may delay or disrupt the Works, or which may give rise to a claim for additional payment. The contractor shall take all reasonable steps to minimize these effects.
- The contractor's entitlement to extension to Time for Completion

or additional payment shall be limited to the time and payment which would have been due if he had given prompt notice and has taken all reasonable steps.

**10.4 Right to Claim** If the contractor incurs cost as a result of any of the Employer's Liabilities, the contractor shall be entitled to the amount of such cost. If as a result of any of the Employer's Liabilities, it is necessary to change the Works, this shall be dealt with as a Variation.

**10.5 Variation and Claim Procedure** The contractor shall submit the Employer an itemized make-up of the value of Variations and claims within 30 days of the instruction or of the event giving rise to the claim. The Employer shall check and if possible agree the value. In the absence of agreement, the Employer shall determine the value.

## **11. Contract Price and Payment**

**11.1 Valuation of the Works** The Works shall be valued as provided for in the SCC, subject to Clause 10.

**11.2 Monthly Statements** The contractor shall be entitled to be paid at monthly intervals:

- a. the value of the Works executed,
- b. the percentage stated in the SCC of the value of Materials and Plant delivered to the Site at a reasonable time,

subject to any additions or deductions which may be due.

The contractor shall submit each month to the Employer a statement showing the amounts to which he considers himself entitled.

**11.3 Interim Payments** Within 30 days of acceptance of each statement, the Employer shall pay to the contractor the amount shown in the contractor's statement less retention at the rate stated in the SCC, and less any amount for which the Employer has specified his reasons for disagreement. The Employer shall not be bound by any sum previously considered by him to be due to the contractor.

**11.4 Payment of First Half of Retention** One half of the retention and any such other retention shall be paid by the Employer to the contractor within 15 days upon expiry of Defects Liability Period.

**11.5 Payment of Second Half of Retention** The remainder of the retention shall be paid by the Employer to the contractor within 15 days after submission of evidence document from the concerned Internal Revenue Office that the contractor has submitted his Income Returns.

**11.6 Final Payment** Within 45 days of the latest of the expiry of the defects liability period, the contractor shall submit a final account to the Employer together with any documentation reasonably required to enable the Employer to ascertain the final contract value.

Within 30 days after the submission of this final account, the Employer shall pay to the contractor any amount due. If the Employer disagrees with any part of the contractor's final account, he shall specify his reasons for disagreement when making payment

**11.7 Currency** Payment shall be in the currency stated in the SCC.

**11.8 Delayed Payment**

The contractor shall be entitled to interest at the rate stated in the SCC for each day the Employer fails to pay beyond the prescribed payment period.

**11.9 Advance Payment**

- a The Employer may make advance payment to the contractor of the amounts stated in the SCC within 15 days, against provision by the contractor of an Unconditional Bank Guarantee in a form and by a bank acceptable to the Employer in amounts and currencies equal to the advance payment. The Guarantee shall remain effective until the advance payment has been repaid, but the amount of the Guarantee shall be progressively reduced by the amounts repaid by the contractor. Interest shall not be charged on the advance payment.
- b The contractor is to use the advance payment only to pay for Equipment, Plant, Materials and mobilization expenses required specifically for execution of the Contract. The contractor shall demonstrate that advance payment has been used in this way by supplying copies of invoices or other documents to the Employer/ Engineer.
- c Unless otherwise stated in the SCC, the advance payment shall be repaid through percentage deductions from the monthly certified statements in accordance with this clause. Deductions shall commence in the next monthly statement in which the value of work executed exceeds thirty (30%) percent of the initial Contract Amount less provisional sums, day works and VAT. Deduction shall be made at the amortization rate of thirty (30%) percent of the amount of each monthly statement until such time as the advance payment has been repaid completely, provided that the advance payment shall be completely repaid prior to the end of 90 % of the approved contract period.

**11.10. Price Adjustment**

- a) The Contract is subject to price adjustment only for construction material in accordance with this clause. If the Contract Agreement is concluded following the Invitation for National Level Bidding and after the signing of the Contract Agreement if the price of the construction materials stated in the SCC increase or decrease in an unexpected manner in excess of ten (10%) percent in comparison to the base price stated in the SCC, then the price adjustment for the increase or decrease of price of the construction material beyond 10% shall be made by applying the following formulas:

For unexpected increase in price  
 $P = [R_1 - (R_0 \times 1.10)] \times Q$

For unexpected decrease in price  
 $P = [R_1 - (R_0 \times 0.90)] \times Q$

Where:

“ P ” is price adjustment amount

“ R<sub>1</sub> ” is the present price of the construction material “

R<sub>0</sub> ” is the base price of the construction material

“ Q ” is quantity of the construction material consumed in construction during the period of price adjustment consideration

- (b) The Price Adjustment amount pursuant to the clause will be limited to a maximum of 25% of the initial Contract Amount unless otherwise is specified in the SCC

b) The Price Adjustment provision pursuant to Clause 11.10 (a) shall not be applicable if the contract is not completed in time due to the delay caused by the contractor or the contract is a Lump sum Contract or a Fixed Budget Contract.

**11.11 Local  
Taxation &  
Value Added  
Tax**

a. The prices tendered by the Contractor shall include all taxes that may be levied in accordance to the laws and regulations in being in Nepal on the date 30 days prior to the closing date for submissions of Bids on the Contractor's equipment, plant and materials acquired for the purpose of the Contract and on the services performed under the Contract. Nothing in the Contract shall relieve the Contractor from his responsibility to pay any tax that may be levied in Nepal on profits made by him in respect of the Contract.

b. The Contract is not exempted from value added tax. An amount specified in the schedule of taxes shall be paid by the Contractor in the concerned VAT office within time frame specified in VAT regulation.

**12. Termination of Contract**

**12.1 Default by  
Contractor**

If the contractor abandons the Works, refuses or fails to comply with a valid instruction of the Employer or fails to proceed expeditiously and without delay or is, despite a written complaint, in breach of the Contract, the Employer may give notice referring to this Sub-Clause and stating the default.

If the contractor has not taken all practicable steps to remedy the default within 15 days after the contractor's receipt of the Employer's notice, the Employer may, by a second notice given within a further 22 days, terminate the Contract. The Contractor shall then demobilize from the Site leaving behind Materials and Plant and any contractor's Equipment which the Employer instructs in the second notice to be used until the completion of the Works.

**12.2 Default by  
Employer**

If the Employer fails to pay in accordance with the Contract, or is, despite a written complaint, in breach of the Contract, the contractor may give notice referring to this Sub-Clause and stating the default. If the default is not remedied within 7 days after the Employer's receipt of this notice, the contractor may suspend the execution of all or parts of the Works.

If the default is not remedied within 30 days after the Employer's receipt of the contractor's notice, the contractor may, by a second notice given within a further 22 days, terminate the Contract. The contractor shall then demobilize from the Site.

**12.3 Insolvency**

If a Party is declared insolvent under any applicable law, the other Party may by notice terminate the Contract immediately. The contractor shall then demobilize from the Site leaving behind, in the case of the contractor's insolvency, any contractor's Equipment which the Employer instructs in the notice is to be used until the completion of the Works.

**12.4 Termination  
by  
Convenience**

Notwithstanding the above, the Employer shall be entitled to terminate the Contract in public interest, at any time at the Employer's convenience, by giving notice of such termination to the contractor.

## **12.5 Payment upon Termination**

After termination, the contractor shall be entitled to payment of the unpaid balance of the value of the Works executed and of the Materials and Plant reasonably delivered to the Site, adjusted by the following:

- a. any sums to which the contractor is entitled under Sub-Clause 10.4,
- b. any sums to which the Employer is entitled,
- c. if the Employer has terminated under Sub-Clause 12.1 or 12.3, the Employer shall be entitled to a sum equivalent to 20% of the value of those parts of the Works not executed at the date of the termination,
- d. if the contractor has terminated under Sub-Clause 12.2 or 12.3, the contractor shall be entitled to the Cost of his suspension and demobilization together with a sum equivalent to 10% of the value of those parts of the Works not executed at the date of termination

The net balance due shall be paid or repaid within 30 days of the notice of termination.

## **13. Risk and Responsibility**

### **13.1 Contractor's Care of the Works**

The contractor shall take full responsibility for the care of the Works from the Commencement Date until the date of the Employer's notice under Sub-Clause 8.2. Responsibility shall then pass to the Employer. If any loss or damage occurs to the Works during the above period, the contractor shall rectify such loss or damage so that the Works conform to the Contract.

Unless the loss or damage occurs as a result of an Employer's Liability, the contractor shall indemnify the Employer, the Employer's contractors, agents and employees against all loss or damage happening to the Works and against all claims or expense arising out of the Works caused by a breach of the Contract, by negligence or by other default of the contractor, his agents or employees.

### **13.2 Force Majeure**

If a Party is or shall be prevented from performing any of its obligations by Force Majeure, the Party affected shall notify the other Party immediately. If necessary, the contractor shall suspend the execution of the Works and, to the extent agreed with the Employer, demobilize the contractor's Equipment.

If the event continues for a period of 90 days, either Party may then give notice of termination which shall take effect 30 days after the giving of the notice.

After termination, the contractor shall be entitled to payment of the unpaid balance of the value of the Works executed and of the Materials and Plant reasonably delivered to the Site, adjusted by the following:

- a. any sums to which the contractor is entitled under Sub-Clause 10.4,
- b. the Cost of his suspension and demobilization,
- c. any sums to which the Employer is entitled.

The net balance due shall be paid or repaid within 30 days of the notice of termination.

## **14. Insurance**

### **14.1 Extent of Cover**

The contractor shall, prior to commencing the Works, effect and thereafter maintain insurances in the joint names of the Parties:

- a. for loss and damage to the Works, Materials, Plant and the contractor's Equipment,
- b. for liability of both Parties for loss, damage, death or injury to third parties or their property arising out of the contractor's performance of the Contract, including the contractor's liability for damage to the Employer's property other than the Works, And
- c. for liability of both Parties and of any Employer's representative for death or injury to the contractor's personnel except to the extent that liability arises from the negligence of the Employer, any Employer's representative or their employees.

### **14.2 Arrangements**

All insurances shall conform with any requirements detailed in the SCC. The policies shall be issued by insurers and in terms approved by the Employer. The contractor shall provide the Employer with evidence that any required policy is in force and that the premiums have been paid.

All payments received from insurers relating to loss or damage to the Works shall be held jointly by the Parties and used for the repair of the loss or damage or as compensation for loss or damage that is not to be repaired.

### **14.3 Failure to Insure**

If the contractor fails to effect or keep in force any of the insurances referred to in the previous Sub-Clauses, or fails to provide satisfactory evidence, policies or receipts, the Employer may, without prejudice to any other right or remedy, effect insurance for the cover relevant to such default and pay the premiums due and recover the same as a deduction from any other monies due to the contractor.

## **15. Resolution of Disputes**

### **15.1 Adjudication**

If any dispute shall arise out of or in connection with the Contract, including any valuation or other decision of the Employer, then the parties shall attempt to settle such dispute amicably within 15 days of the notification of the Employer's decision. However if the dispute is not settled amicably or no attempt is made to settle the dispute amicably then the dispute shall be referred by either Party to adjudication in accordance with the attached Rules of Adjudication ("The Rules"). The adjudicator shall be any person agreed by the Parties. In the event of disagreement, the adjudicator shall be appointed in accordance with the Rules.

### **15.2 Notice of Dissatisfaction**

If a Party is dissatisfied with the decision of the adjudicator or if no decision is given within the time set out in the Rules, the Party may give notice of dissatisfaction referring to this Sub-Clause within 30 days of receipt of the decision or the expiry of the time for the decision. If no notice of dissatisfaction is given within the specified time, the decision shall be final and binding on the Parties.

### 15.3 Arbitration

A dispute which has been the subject of a notice of dissatisfaction, as per sub clause 15.2 shall be referred to a single arbitrator under the rules specified in the SCC. In the absence of agreement, the arbitrator shall be designated by the appointing authority specified in the SCC. Any hearing shall be held at the place specified in the SCC and in the language referred to in Sub-Clause 1.5.

### 16. Conduct of Bidders

16.1 The Bidder shall be responsible to fulfil his obligations as per the requirement of the Contract Agreement, Bidding documents, GoN's Procurement Act and Regulations.

16.2 The Bidder shall not carry out or cause to carry out the following acts with an intention to influence the implementation of the procurement process or the procurement agreement :

- h) give or propose improper inducement directly or indirectly,
- i) distortion or misrepresentation of facts
- j) engaging or being involved in corrupt or fraudulent practice
- k) interference in participation of other prospective bidders.
- l) coercion or threatening directly or indirectly to cause harm to the person or the property of any person to be involved in the procurement proceedings,
- m) collusive practice among bidders before or after submission of bids for distribution of works among bidders or fixing artificial/uncompetitive bid price with an intention to deprive the Employer the benefit of open competitive bid price..
- n) contacting the Employer with an intention to influence the Employer with regards to the bid or interference of any kind in examination and evaluation of the bids during the period after opening of bids up to the notification of award of contract

### 17. Blacklisting Bidder

17.1 Without prejudice to any other right of the Employer under this Contract, GoN, Public Procurement Monitoring Office may blacklist a bidder for his conduct up to three years on the following grounds and seriousness of the act committed by the bidder:

- g) if it is proved that the bidder committed acts pursuant to the Sub - Clause 16.2,
- h) if the bidder fails to sign an agreement pursuant to ITB Sub – Clause 27.4,
- i) if it is proved later that the bidder/contractor had committed substantial defect in implementation of the contract or had not substantially fulfilled his obligations under the contract or the completed work is not of the specified quality as per the contract ,
- j) if convicted by a court of law in a criminal offence which disqualifies the bidder from participating in the contract.
- k) if it is proved that the contract agreement signed by the bidder was based on false or misrepresentation of bidder's qualification information,
- l) other acts mentioned in the Bidding Data

33.2 A firm declared blacklisted and ineligible by the GoN shall be ineligible to bid for a contract during the period of time determined by the PPMO.



## Section V: Special Conditions of Contract (SCC)

This SCC forms part of the Agreement

*[Note: with the exception of the items for which the Employer's requirements have been inserted, the Bidder shall complete the following information before submitting his bid.]*

Item	Clause	Data
Documents forming the Contract listed in the order of priority	1.1.1	<b>Document</b> a. The Agreement b. Special Conditions of Contract c. General Conditions of Contract d. The Technical Specifications e. The Drawings f. The contractor's tendered design (if any) g. The Bill of Quantities h. ....(If any)
Time for Completion	1.1.12	<i>180 Days from the date of Contract Agreement</i>
Law of Contract	1.4	Applicable Law of Nepal
Language	1.5	English or Nepali
Provision of Site	2.1	On the commencement date*
Authorized person	3.1	<b><i>Agriculture and Forestry University, Faculty of Forestry, Hetauda, Makwanpur</i></b>
Name and address of Employer's representative	3.2	<b><i>Er. Pawan Sigdel</i></b> <a href="mailto:www.psigdel@afu.edu.np">www.psigdel@afu.edu.np</a>
Performance security : Amount from	4.4	5 % of the contract price ....attached in section X
Requirements for contractor's design (if any)	5.1	The Contractor should follow the drawing and designs prepared by Engineering Consultant of AFU.
Time for the submission of programme	7.2	Within 7 days* of the commencement date
Liquidated Damages for Delay	7.4	0.05% of Contract Price per day up to a maximum of 10%* of sum stated in the Agreement
Bonus or early completion (if any)	7.4	Not available
Period for notifying defects	9.1	180 days* calculated from the date stated in the notice under Sub-Clause 8.2.

Item	Clause	Data																			
Percentage of value of Materials and Plant	11.2 (b)	Not Applicable																			
Percentage of retention	11.3	5% of each interim payment made to the Contractor																			
Currency of payment	11.7	Nepalese Rupees																			
Rate of interest	11.8	as per prevailing interest rate of Nepal Banijya Bank																			
Advance Payment	11.9	Upto 15% of the Contract price against bank guarantee																			
Price adjustment Base price		<p>Base price will be the approved district rate 30 days prior to bid submission</p> <table border="0"> <thead> <tr> <th>Construction Material</th> <th>Base Price</th> <th>Source</th> </tr> </thead> <tbody> <tr> <td>i. Cement</td> <td>NRs.....</td> <td></td> </tr> <tr> <td>ii. Steel</td> <td>NRs.....</td> <td></td> </tr> <tr> <td>iii. pre-fab board</td> <td>NRs.....</td> <td></td> </tr> <tr> <td>iv. paint work</td> <td>NRs.....</td> <td></td> </tr> <tr> <td>v. others</td> <td>NRs.....</td> <td></td> </tr> </tbody> </table>		Construction Material	Base Price	Source	i. Cement	NRs.....		ii. Steel	NRs.....		iii. pre-fab board	NRs.....		iv. paint work	NRs.....		v. others	NRs.....	
Construction Material	Base Price	Source																			
i. Cement	NRs.....																				
ii. Steel	NRs.....																				
iii. pre-fab board	NRs.....																				
iv. paint work	NRs.....																				
v. others	NRs.....																				
<b>Insurances</b>	14.2	<p><b>Type of Cover</b></p> <p>The Works. Material. Plant, Equipment and Fees</p> <p>Third Party injury to persons and damage to property</p> <p>Workers</p>	<p><b>Amount to Cover</b></p> <p>15% of the total contract price.</p> <p>As per the Prevailing Act of Nepal Government.</p> <p>NRS 200000. Per person for 5 person with unlimited number of occurrences of other people.</p> <p>As per labor act of Nepal</p>																		
Adjudication	15.1	Appointing Authority: Nepal Council of Arbitration (NEPCA)																			
Arbitration	15.3	<p>Arbitration Rules : Nepal Council of Arbitration (NEPCA)</p> <p>Appointing Authority: Nepal Council of Arbitration (NEPCA)</p> <p>Place of Arbitration: NPCA, Singh Durbar, Kathmandu</p> <p>Language; English ,Nepali</p>																			

## **Section VI. Technical Specification**

### **Scope of the work**

The scope of the project is to construct compound wall of the newly constructed girls hostel with first class brick with mess wire and provide a sliding metal gate with anti climbing grill on top to prevent any trespassing to the hostel with approved standard.

#### **1. Brick work**

Brick wall of local made first class brick with foundation as mentioned in the drawing and estimation has to be done with all the necessary labor, scaffolding and any other require to be covered with the contractor. The brick work has to be done as accordance with the site engineer. The wall has to be plastered and painted as specified.

#### **2. Paint work**

Contractor shall provide for all labor, instruments, materials and other necessary for the one coat Putin and final coat paint for the all entire pre fabric works.

#### **3. Mortar and concrete**

Contractor shall provide all the labor, material, equipments and other necessities as well as the incidentals involved during the foundation of the wall and the gate .

#### **4. Sliding metal gate**

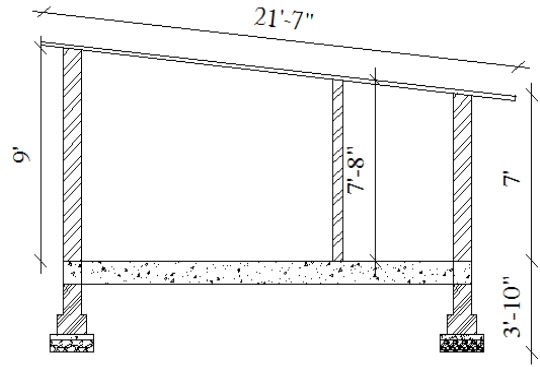
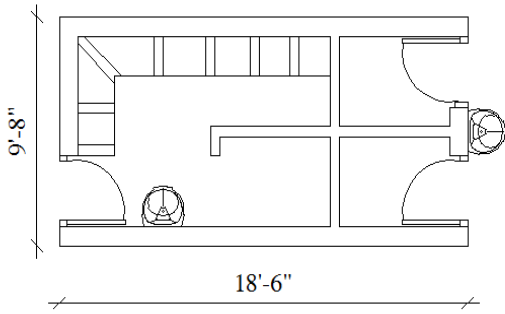
Sliding metal gate of given dimension as in the estimate has to be done with all the necessary charges covering by the contractor including the foundation work upto the paint as specified in the estimate.

#### **5. Mesh wire**

On top of the brick wall, mesh wire with metal frame on all side has to be installed with anti climbing grill on top as in the estimate. All the labor charges and instrument charges has to be covered by the contractor.

—





Auditorium Hall toilet

## Section VIII. Bill of Quantities

Name of Works: Compound wall of Girls Hostel  
Location: Faculty of Forestry, Hetauda Makwanpur.

S.N.	Description of Work	Unit	Quantity	Rate	Amount	Remarks
<b>1</b>	<b>Garage mesh Wire cover</b>					
a	Mesh wire (2.7 mm and heavy Zinc coated) installation in the garage with ms pipe frame and angle including all the necessary fitting and equipment as per the instructions of site engineer.					
	Mesh wire	Sqm	51.4			
b	Mild steel pipe frame(runner and angle of 3mm thick) including necessary cleat angles, gussets, base plates and applying two coats of enamel painting over primer on cleaned surgance of steel, all complete.					
	Mild steel Frame	Kg	363			
	sub-total					
<b>2</b>	<b>Existing Hostel roof meintanance</b>					
a	Demolition of Existing roof including the stacking of debries and the material up to the haul of 100m					
	Demolition	Sqm	50.2			
b	Mild Steel PipeTruss( Tie rafter, purlins )of approved steel sections (3.5mm) including necessary cleat angles, gussets, base plates, anchoring, hooks, Prefinished Eaves Board and applying two coats of enamel painting over primer on cleaned surface of steel , all complete.					
	Mild Steel Truss	Kg	406.45			

c	Providing, laying and fixing 24 gauge (0.50 mm thick) galvanized corrugated colour coated sheets with Hilti self tapping screws, including necessary overlaps, washers etc. and providing and fixing 100 mm wide tape, with glue at both sides, at the joints of CGI sheets to prevent leakage due to capillary action, all complete as per specification, drawing and instruction of Site Engineer.					
	fixing New Colour CGI sheet	Sqm	74.88			
d	GI Gutter: Providing and fixing in position 200 mm x 150 mm overall trapezoidal type Pre-finished colour G.I. Sheet gutter(0.5mm th) with G.I. brackets 40 x 3 mm size including bolts, nuts, washer, making, connections with rainwater pipes, etc., all complete as per drawings, specification and instruction of Engineer.					
	GI Gutter	Rm	19.5			
f	Providing and fixing in position 12 mm thick waterproof plywood false at all heights and level by providing 50mm x 50mm size hard wood under framing suspended from roof truss member with required hanging adjustable 12 mm dia. Rod with U-clamp or 25 x 3 mm mild steel straps, including required cleats, nuts, bolts, nails, scaffolding, painting with 2 coats of clear varnish, etc. all complete as per drawing, specification and instruction of the Engineer.					
	False Ceiling	sqm	46.75			
	sub-total					
<b>3</b>	<b>Canteen</b>					
a	Site clearance: demolition of existing masonry structures and well stacking the materials and debris as accordingly upto a haulage of 100 meter, other necessary clearance of the site as per the requirement of the site engineer.					
	CGI roof	Sqm	44.65			
	Brick wall	cum	23			
b	Earth Excavation in foundation in all type of soils for foundation, trenches etc to the required depth as per design, drawing and instruction.					
	Earth Excavation	cum	32.832			
c	Back filling in foundation, floor with approved type of excavated soil and barrowed soil with full compaction including watering, ramming by rammer all complete work.					
	Back Filling	cum	38.688			
d	providing and laying mixed gravel below flat soling in foundation and floor in required line and level all complete as per drawing, specification and instructions of the Engineer.					
	Mixed Gravel	cum	4.104			

	stone soling 6"	cum	6.552			
e	Providing and laying machine mixed Plain Cement Concrete of nominal mix 1:3:6(1 cement : 3 sand : 6 coarse aggregate ) using OPC 43 grade cement for flooring work with line and leveling including , mixing, transporting, placing, compacting, curing, including all lead and lift, etc. all complete as per drawings, specifications and the instructions of the Engineer.					
	PCC 1:3:6	cum	10.6			
f	Providing and laying machine mixed Plain Cement Concrete of nominal mix 1:1.5:3(1 cement : 1.5 sand : 3coarse aggregate)using OPC 43 grade cement for Flooring work with line and leveling including rein.steel 4.5kg/m, formwork, wherever necessary, mixing, transporting, placing, compacting, curing, including all lead and lift, etc. all complete as per drawings, specifications and the instructions of the Engineer.					
	RCC for DPC band	cum	2.95			
	RCC for Kitchen slab	cum	1.31			
	Reinforcement bar	kg	321.05			
g	Providing and laying machine made concrete bolck (150X200X400) wall in cement mortar 1:4(1 cement :4coarse sand) in specified places in all heights and level including the cost of single or multi stage scaffolding, soaking bricks, curing, raking joints,provision for recesses, openings, toothing etc., all complete as per drawing, specifications and instructions of the Engineer.					
	Concrete block work 1:4 c/s	cum	31.966075			
h	Supplying, making, fitting Sal wood frames for doors and windows with good finish of approved seasoned salwood including fixing with MS holdfasts (3 nos. at each side), bitumen or black japan paint to the surface contacting to concrete or masonry, including two or more coats enamel etc., all complete as per design, drawing, specifications instructions of the engineer.					
	Sal woodFrame	Cum	0.141			
i	Supplying and Fitting Solidcore flush door shutter (35 mm thick) with ISI marked 100mm steel hinge, 150mm 2 nos tower bolt,L-Drop or Mortice lock 6 lever of Godrej company or equivalent made, Door stopper, etc all complete as per specification and instruction.					
	Solidcore Flush Door shutter	Sqm	3.35			
j	Providing,febricating and fixing in position Apprved size and section(78x38x1.2)mm aluminium sliding window including 4mm thickPlain Glass ,mess screen.with necessary fittings all complete work .					
	Aluminium windows	Sqm	7.44			



	Window Grill	Kg	244			
k	Providing and applying at all levels and shape 12mm thick cement plaster in building interior area in specified cement mortar 1:6 (1 cement : 6 fine sand ) in all surface at all height including mixing mortar, laying in perfect line, level and plumb and finishing in regular and even surface including all necessary scaffolding, prov dripping, wetting, curing, protection, etc., all complete as per drawing , specification and instruction of the Engineer.					
	12mm thick cement plaster	Sqm	165.2			
L	Providing and laying in required line, level and pattern 35 thick cement concrete flooring comprising an under layer of cement concrete 1:2:4 (1 cement : 2 coarse sand : 4 graded stone aggregate 12mm and down grade) in glass strip of 4mm thick 35m deep and finished top layer with a floating coat of neat cement slurry, with coving at corners etc. all complete as per drawings, specifications and instructions. The depth and pattern of the cement floor finish shall be maintained keeping on the view of the thickness of upcoming floor finish layer.					
	35mm th.cement concrete Flooring	sqm	44.27			
m	Mild Steel PipeTruss( Tie rafter, purlins )of approved steel sections (3.5mm) including necessary cleat angles, gussets, base plates, anchoring, hooks, Prefinished Eaves Board and applying two coats of enamel painting over primer on cleaned surface of steel , all complete.					
	Mild Steel Truss	Kg	792.2572			
n	Providing, laying and fixing 24 gauge (0. 50 mm thick) galvanized corrugated colour coated sheets with Hilty self tapping screws, including necessary overlaps, washers etc. and providing and fixing 100 mm wide tape, with glue at both sides, at the joints of CGI sheets to prevent leakage due to capillary action, all complete as per specification, drawing and instruction of Site Engineer.					
	fixing New Colour CGI sheet	Sqm	78.12			
o	Providing and fixing in position 12 mm thick waterproof plywood false at all heights and level by providing 50mm x 50mm size hard wood under framing suspended from roof truss member with required hanging adjustable 12 mm dia. Rod with U-clamp or 25 x 3 mm mild steel straps, including required cleats, nuts, bolts, nails, scaffolding, painting with 2 coats of clear varnish, etc. all complete as per drawing, specification and instruction of the Engineer.					
	False Ceiling	sqm	44.3			

p	Providing and applying two or more coats of first quality hundred percent acrylic paint (Distemper or approved equivalent manufactured by Asian Paints, Berger Paints, Nepalpaint ) of approved shade and pattern to the exterior walls of buildings etc., The rates shall include for scrapping etc., washing the surface with water, applying a coat of approved quality water base cement primer, surface preparation, scaffolding etc., all complete as per the manufacturer's recommendations and as approved by the Engineer.					
	Acrylic Paint	sqm	165.2			
q	Supplying and application of enamel paint of approved quality on False ceiling, windows & Wire Mesh Doors & Windows in two coats over one coat of primer in properly sanded surface all complete as per design, drawings, specifications and instructions of the engineer.					
	Enamel paint	sqm	10.8			
r	Providing and fitting plumbing & sanitary accessories with necessary fittings including all necessary fittings, fixtures all complete work as per specifications and instructions of the Engineer.					
	Floor/wall Tile	sqm	21.48			
	Orrisa Pan	no	1			
	Wash Basin/Kitchen sink	no	2			
	Shower/Tap set	no	2			
	1/2' or 1" dia CPVC pipe	rm	122			
s	Supplying ,wiring,testing,commissioning and putting into operation for Light,Fan powersocket points using standard copper conductor pvc insulated wires drawn through pre installed HDP pipes concealed in wall and floor including all fixing and connecting materials switch & socket all complete works as per design, drawings, specifications and instructions of the Engineer.					
	One way Light Point/Fan Points	no	20			
	15/5 AMPPower Socket	no	5			
	48" Ceiling Fans	no	4			
	sub-total					
<b>4</b>	<b>Auditorium hall toilet</b>					
a	site clearance	Ls	1			
b	Earth Excavation in foundation in all type of soils for foundation, trenches etc to the required depth as per design, drawing and instruction.					
	Earth Excavation	cum	14.28			

c	Back filling in foundation, floor with approved type of excavated soil and barrowed soil with full compaction including watering, ramming by rammer all complete work.					
	Back Filling	cum	17.91			
d	Mixed Gravel	cum	2.38			
e	stone soling 6"	cum	2.3			
f	Providing and laying machine mixed Plain Cement Concrete of nominal mix 1:3:6(1 cement : 3 sand : 6 coarse aggregate ) using OPC 43 grade cement for flooring work with line and leveling including , mixing, transporting, placing, compacting, curing, including all lead and lift, etc. all complete as per drawings, specifications and the instructions of the Engineer.					
	PCC 1:3:6	cum	2.34			
g	Providing and laying machine mixed Plain Cement Concrete of nominal mix 1:1.5:3(1 cement : 1.5 sand : 3coarse aggregate)using OPC 43 grade cement for Flooring work with line and leveling including rein.steel 4.5kg/m, formwork, wherever necessary, mixing, transporting, placing, compacting, curing, including all lead and lift, etc. all complete as per drawings, specifications and the instructions of the Engineer.					
	RCC for DPC band	cum	1.15			
	Reinforcement bar	kg	62.22			
h	Providing and laying concrete block wall (150X200X400) in cement mortar 1:4 (1 cement :4coarse sand) in specified places in all heights and level including the cost of single or multi stage scaffolding, soaking bricks, curing, raking joints,provision for recesses, openings, toothing etc., all complete as per drawing, specifications and instructions of the Engineer.					
	concrete block work 1:4 c/s	cum	18.16			
i	Supplying, making, fitting Sal wood frames for doors and windows with good finish of approved seasoned salwood including fixing with MS holdfasts (3 nos. at each side), bitumen or black japan paint to the surface contacting to concrete or masonry, including two or more coats enamel etc., all complete as per design, drawing, specifications instructions of the engineer.					
	Sal woodFrame	cum	0.141			

j	Providing and laying in required line, level and pattern 35 thick cement concrete flooring comprising an under layer of cement concrete 1:2:4 (1 cement : 2 coarse sand : 4 graded stone aggregate 12mm and down grade) in glass strip of 4mm thick 35m deep and finished top layer with a floating coat of neat cement slurry, with coving at corners etc. all complete as per drawings, specifications and instructions. The depth and pattern of the cement floor finish shall be maintained keeping on the view of the thickness of upcoming floor finish layer.					
	35mm th.cement concrete Flooring	sqm	15.1			
k	Supplying,making and Fitting plane sheet screen Door shutter, approved seasoned hard wooden frame (3"x1.5") including hinges,handle,Tower bolts all complete work.					
	Plane sheet shutter	sqm	6.7			
l	Providing, laying and fixing 24 gauge (0. 50 mm thick) galvanized corrugated colour coated sheets with Hilty self tapping screws, including necessary overlaps, washers etc. and providing and fixing 100 mm wide tape, with glue at both sides, at the joints of CGI sheets to prevent leakage due to capillary action, all complete as per specification, drawing and instruction of Site Engineer.					
	colour CGI sheet roofing	sqm	25.7			
m	Providing and laying 1st quality ceramic glazed tiles , minimum thickness 6mm of approved make in all colours , shades of any size as approved by Engineer in skirting, risers of steps and dados over cement mortar 1:4 (1 cement : 4 sand) and joint filed with waterproof non-shrink polymer joint mortar in required colour, including surface preparation, protection, cleaning, etc. all complete as per instructions of the Engineer.					
	floor/wall tiles	sqm	22.3			
n	Mild Steel Pipe Truss ( rafter, purlins )of approved steel sections (3.5mm) including necessary cleat angles, gussets, base plates, anchoring, hooks, Prefinished Eaves Board and applying two coats of enamel painting over primer on cleaned surface of steel , all complete.					
	MS pipe truss	kg	185			
o	Providing and applying at all levels and shape 12mm thick cement plaster in building interior area in specified cement mortar 1:6 (1 cement : 6 fine sand ) in all surface at all height including mixing mortar, laying in perfect line, level and plumb and finishing in regular and even surface including all necessary scaffolding, prov dripping, wetting, curing, protection, etc., all complete as per drawing , specification and instruction of the Engineer.					
	12mm thick cement plaster	sqm	68			

p	Providing and applying at all levels Cement rule Pointing in exterior area of building in specified cement mortar 1:3 (1 cement : 3 fine sand ) in all surface at all height including mixing mortar, laying in perfect line, level and plumb and finishing in regular and even surface including all necessary scaffolding, prov dripping, wetting, curing, protection, etc., all complete as per drawing , specification and instruction of the Engineer.					
	Cement Pointing	sqm	49.58			
q	Providing and fitting plumbing & sanitary accessories with necessary fittings including all necessary fittings,fixtures all complete work as per specifications and instructions of the Engineer.					
	Wash Basin	no	2			
	Glazed pan	no	3			
	Shower/Tap set	set	8			
	1/2' or1"dia CPVC pipe	rm	61			
r	Providing and applying two or more coats of first quality hundred percent acrylic paint (Distemper or approved equivalent manufactured by Asian Paints, Berger Paints, Nepalpaint ) of approved shade and pattern to the exterior walls of buildings etc., The rates shall include for scrapping etc., washing the surface with water, applying a coat of approved quality water base cement primer, surface preparation, scaffolding etc., all complete as per the manufacturer's recommendations and as approved by the Engineer.					
	Acrylic Paint	sqm	56.7			
	sub-total					
<b>5</b>	<b>Auditorium hall compound</b>					
a	Clearing and Grubbing the site for Construction by removing 15 cm thick top soilincluding bushes,trees, levelling etc					
	Site Clearing	Ls	1			
b	Earth Excavation in foundation in all type of soils for foundation,trenches,etc to the required depths as per design,drawing and instruction.					
	Earth/Excavation	cum	37.80			
c	Back Filling in foundation ,Floorwith approved type of excavated soil,and barrowed soil with full compaction,including watering,ramming by rammer allcomplete work.					
	Back Filling .	cum	34			
d	Providing and laying mixed gravel below flat soling in foundation and floor in required line and level all complete as per drawings, specifications and instructions of the Engineer.					
	Mixed Gravel	cum	8.91			

e	Providing and laying machine mixed Plain Cement Concrete of nominal mix 1:3:6(1 cement : 3 sand : 6 coarse aggregate ) using OPC 43 grade cement for foundation surface preparation work with line and leveling including , mixing, transporting, placing, compacting, curing, including all lead and lift, etc. all complete as per drawings, specifications and the instructions of the Engineer.					
	PCC1:3:6	cum	1.85625			
f	Providing and laying machine mixed Plain Cement Concrete of nominal mix 1:2:4(1 cement : 2 sand : 4 coarse aggregate ) using OPC 43 grade cement for DPC work with line and leveling including rein.steel 3.5kg/m ,formwork, wherever necessary, mixing, transporting, placing, compacting, curing, including all lead and lift, etc. all complete as per drawings, specifications and the instructions of the Engineer.					
	RCC for DPC	cum	2.25			
g	Providing and laying machine made hollow concrete block (150X200X400) wall in cement mortar 1:4 (1 cement :5coarse sand) in specified places in all heights and level including the cost of single or multi stage scaffolding, soaking bricks, curing, raking joints,provision for recesses, openings, tothing etc., all complete as per drawing, specifications and instructions of the Engineer.					
	Concrete block work 1:5 c/s	cum	27.945			
h	Supplying and laying 12 mm thick cement sand plaster in 1:6 in proper line level on Brick wall with all the necesseries as per drawing, specification and instructions of the Engineer.					
	12mm thick cement plaster	Sqm	136.8			
i	Providing and Fitting 2" dia round or square, 3.2mm th.Mild steel pipe to make frame for mesh wire, including cleatangle,gusset plate,runner plate, base plate, anchoring, hooks eves Board, and installation of anti climb barrier with 10 mm square bar with 6" leg above the mesh wire frame and applying 2 coat enamel paint over one coat primer all comple work as per given design and Drawings.					
	Mild Steel frame	kg	894.24			
	10mm anti climbing barrier grill	kg	65			
j	Providing and Fitting 3 mm Mesh wire (heavy Zink coating) works with required lap at all sides including necessary gusset plate or runner and other if any and all complete works.					
	Mesh wire	Sqm	108.9			

k	providing and fitting sliding metal gate (1750*4000 mm)30mm x 30mm x 3mm box steel frame, Upright 30mm Box support approx every 2.5 metres, 2mm steel sheet cladding with all the necessary plate and angles etc					
	Sliding metal Gate	Ls	1			
l	site clearance after completion of work	Ls	1			
	sub-Total					
<b>6</b>	<b>Garage Gravel road</b>					
a	filling of earth with in the road alignment as well as cutting in the same haul to contribute to the filling and levelling, maintaining the grade of the road alignment (not exceeding 10%)					
	Earth work in filling	cum	230			
b	supplying and laying out gravel layer of 75mm thick in the alignment and compaction					
	Mixed gravel	cum	54			
c	applying a 25 mm thick layer of stone dust over the gravel surface and compaction all complete	cum	18			
d	compaction of earth-filling, gravel and dust filling separately with each layer being not more than 200mm using roller compactor					
	Compaction	cum	302			
e	casting Rcc slab using M20 concrete over the road drain including all the reinforcement bar, form work and all if any					
	Rcc slab	cum	2.625			
f	installation of 6m wide metal gate including the two vertical at the each end, paintin and all the foundation work, all complete as per the instruction of site engineer					
	metal gate	LS	1			
	sub-total					
	Total					
	Vat 13%					
	Grand Total					





**Notes on Forms of Securities**

*Samples of acceptable forms of Bid, Performance, and Advance Payment Guarantees are provided herewith. Bidders should not complete the Performance and Advance Payment Guarantee forms at this time. Only the successful Bidder shall be required to provide Performance and Advance Payment Guarantees in accordance with one of the forms or in a similar form acceptable to the Employer.*

## Bid Security (Bank Guarantee)

Whereas, *[name of Bidder]* (hereinafter called "the Bidder") has submitted his bid dated *[date]* for the construction of *[name of Contract]* (hereinafter called "the bid").

Know all people by these presents that We *[name of Bank]* of *[name of country]* having our registered office at *[address]* (hereinafter called "the Bank") are bound unto *[name of Employer]* (hereinafter called "the Employer") in the sum of *[amount]*<sup>1</sup> for which payment well and truly to be made to the said Employer, the Bank binds itself, its successors, and assigns by these presents.

Sealed with the Common Seal of the said Bank this *[day]* day of *[month]*, *[year]*.

The conditions of this obligation are:

- (1) If, after bid opening, the Bidder withdraws his bid during the period of bid validity specified in the Form of Bid; or
- (2) If the Bidder having been notified of the acceptance of his bid by the Employer during the period of bid validity:
  - (a) fails or refuses to execute the Form of Agreement in accordance with the Instructions to Bidders, if required; or
  - (b) fails or refuses to furnish the Performance Security, in accordance with the Instruction to Bidders; or
  - (c) does not accept the correction of the bid,

we undertake to pay to the Employer up to the above amount upon receipt of his first written demand, without the Employer's having to substantiate his demand, provided that in his demand the Employer will note that the amount claimed by him is due to him owing to the occurrence of one or any of the three conditions, specifying the occurred condition or conditions.

This Guarantee will remain in force up to and including the date *[number]* days after the deadline for submission of bids as such deadline is stated in the Instructions to Bidders or as it may be extended by the Employer, notice of which extension(s) to the Bank is hereby waived. Any demand in respect of this Guarantee should reach the Bank not later than the above date.

Date \_\_\_\_\_ Signature of the Bank \_\_\_\_\_

Witness \_\_\_\_\_ Seal \_\_\_\_\_

---

*[signature, name, and address]*

## Performance Bank Guarantee

To: *[name and address of Employer]*

Whereas *[name and address of contractor]* (hereinafter called "the contractor") has undertaken, in pursuance of Contract No. *[number]* dated *[date]* to execute **Girls Hostel canteen and maintenance** (hereinafter called "the Contract");

And whereas it has been stipulated by you in the said Contract that the contractor shall furnish you with a Bank Guarantee by a recognized bank for the sum specified therein as security for compliance with his obligations in accordance with the Contract;

And whereas we have agreed to give the contractor such a Bank Guarantee;

Now therefore we hereby affirm that we are the Guarantor and responsible to you, on behalf of the contractor, up to a total of *[amount of Guarantee]* *[amount in words]* such sum being payable in the types and proportions of currencies in which the Contract Price is payable, and we undertake to pay you, upon your first written demand and without cavil or argument, any sum or sums within the limits of *[amount of Guarantee]*<sup>4</sup> as aforesaid without your needing to prove or to show grounds or reasons for your demand for the sum specified therein.

We hereby waive the necessity of your demanding the said debt from the contractor before presenting us with the demand.

We further agree that no change or addition to or other modification of the terms of the Contract or of the Works to be performed there under or of any of the Contract documents which may be made between you and the contractor shall in any way release us from any liability under this Guarantee, and we hereby waive notice of any such change, addition, or modification.

This Guarantee shall be valid for at least 30 days beyond the date of issue of Defects Liability Certificate.

Signature and seal of the Guarantor \_\_\_\_\_

Name of Bank \_\_\_\_\_

Address \_\_\_\_\_

Date \_\_\_\_\_

## Bank Guarantee for Advance Payment

To: *[name and address of Employer]*

*[name of Contract]*

Gentlemen:

In accordance with the provisions of the Conditions of Contract, Sub clause 11.9("Advance Payment") of the above-mentioned Contract, *[name and address of contractor]* (hereinafter called "the contractor") shall deposit with *[name of Employer]* a Bank Guarantee to guarantee his proper and faithful performance under the said Clause of the Contract in an amount of *[amount of Guarantee] [amount in words]*

We, the *[Bank or Financial Institution]*, as instructed by the contractor, agree unconditionally and irrevocably to guarantee as primary obligator and not as Surety merely, the payment to *[name of Employer]* on his first demand without whatsoever right of objection on our part and without his first claim to the contractor, in the amount not exceeding *[amount of Guarantee] [amount in words]*

We further agree that no change or addition to or other modification of the terms of the Contract or of Works to be performed there under or of any of the Contract documents which may be made between *[name of Employer]* and the contractor, shall in any way release us from any liability under this Guarantee, and we hereby waive notice of any such change, addition, or modification.

The validity period of the guarantee shall be 30 days beyond the period scheduled for repayment of the advance payment and the guarantee shall remain valid and in full effect from the date of the advance payment under the Contract until the *[name of Employer]* receives full repayment of the same amount from the Contractor.

Yours truly,

Signature and seal: \_\_\_\_\_

Name of Bank/Financial Institution: \_\_\_\_\_

Address: \_\_\_\_\_

Date: \_\_\_\_\_

## Section X. Rules for Adjudication

Referred to in GCC Sub-Clause 15.1

### **General**

1. Any reference in the Conditions of Contract to the Rules for Adjudication shall be deemed to be a reference to these Rules.
2. Definitions in the Contract shall apply in these Rules.

### **Appointment of Adjudicator**

3. The Parties shall jointly ensure the appointment of the Adjudicator. The Adjudicator shall be a suitably qualified person.
4. If for any reason the appointment of the Adjudicator is not agreed at the latest within 15 days of the reference of a dispute in accordance with these Rules, then either Party may apply, with a copy of the application to the other Party, to any appointing authority named in the Contract or, if none, to the President of Nepal Council of Arbitration (NEPCA) or his nominee, to appoint an Adjudicator, and such appointment shall be final and conclusive.
5. The Adjudicator's appointment may be terminated by mutual agreement of the Parties. The Adjudicator's appointment shall expire when the Works have been completed or when any disputes referred to the Adjudicator shall have been withdrawn or decided, whichever is the later.

### **Terms of Appointment**

6. The Adjudicator is to be, and is to remain throughout his appointment, impartial and independent of the Parties and shall immediately disclose in writing to the Parties anything of which he becomes aware which could affect his impartiality or independence.
7. The Adjudicator shall not give advice to the Parties or their representatives concerning the conduct of the project of which the Works form part other than in accordance with these Rules.
8. The Adjudicator shall not be called as a witness by the Parties to give evidence concerning any dispute in connection with, or arising out of, the Contract.
9. The Adjudicator shall treat the details of the Contract and all activities and hearings of the Adjudicator as confidential and shall not disclose the same without the prior written consent of the Parties. The Adjudicator shall not, without the consent of the Parties, assign or delegate any of his work under these Rules or engage legal or technical assistance.
10. The Adjudicator may resign by giving 30 days' notice to the Parties. In the event of resignation, death or incapacity, termination or a failure or refusal to perform the duties of Adjudicator under these Rules, the Parties shall agree upon a replacement Adjudicator within 15 days or Rule 4 shall apply.
11. The Adjudicator shall in no circumstances be liable for any claims for anything done or omitted in the discharge of the Adjudicator's duties unless the act or omission is shown to have been in bad faith

12. If the Adjudicator shall knowingly breach any of the provisions of Rule 6 or act in bad faith, he shall not be entitled to any fees or expenses hereunder and shall reimburse each of the Parties for any fees and expenses properly paid to him if, as a consequence of such breach any proceedings or decisions of the Adjudicator are rendered void or ineffective.

**Payment**

13. The Adjudicator shall be paid the fees and expenses set out in the Adjudicator's Agreement.

14. The retainer fee, if applicable, shall be payment in full for:

(a) being available, on 30 days' notice, for all hearings and Site visits;

(b) all office overhead expenses such as secretarial services, photocopying and office supplies incurred in connection with his duties;

(c) all services performed hereunder except those performed during the days referred to in Rule 15.

15. The daily fee shall be payable for each working day preparing for or attending Site visits or hearings or preparing decisions including any associated travelling time.

16. The retainer and daily fees shall remain fixed for the period of tenure of the Adjudicator.

17. All payments to the Adjudicator shall be made by the *contractor* who will be entitled to be reimbursed half by the Employer. The *contractor* shall pay invoices addressed to him within 30 days of receipt. The Adjudicator's invoices for any monthly retainer shall be submitted quarterly in advance and invoices for daily fees and expenses shall be submitted following the conclusion of a Site visit or hearing. All invoices shall contain a brief description of the activities performed during the relevant period. The Adjudicator may suspend work if any invoice remains unpaid at the expiry of the period for payment, provided that 7 days prior notice has been given to both Parties.

18. If the *contractor* fails to pay an invoice addressed to it, the Employer shall be entitled to pay the sum due to the Adjudicator and recover the sum paid from the *contractor*.

**Procedure for Obtaining Adjudicator's Decision**

19. A dispute between the Parties may be referred in writing by either Party to the Adjudicator for his decision, with a copy to the other Party. If the Adjudicator has not been agreed or appointed, the dispute shall be referred in writing to the other Party, together with a proposal for the appointment of an Adjudicator. A reference shall identify the dispute and refer to these Rules.

20. The Adjudicator may decide to visit the Site. The Adjudicator may decide to conduct a hearing in which event he shall decide on the date, place and duration for the hearing. The Adjudicator may request that written statements from the Parties be presented to him prior to, at

or after the hearing. The Parties shall promptly provide the Adjudicator with sufficient copies of any documentation and information relevant to the Contract that he may request.

21. The Adjudicator shall act as an impartial expert, not as an arbitrator, and shall have full authority to conduct any hearing as he thinks fit, not being bound by any rules or procedures other than those set out herein. Without limiting the foregoing, the Adjudicator shall have power to:
  - (a) decide upon the Adjudicator's own jurisdiction, and as to the scope of any dispute referred to him,
  - (b) make use of his own specialist knowledge, if any,
  - (c) adopt an inquisitorial procedure,
  - (d) decide upon the payment of interest in accordance with the Contract,
  - (e) open up, review and revise any opinion, instruction, determination, certificate or valuation, related to the dispute,
  - (f) refuse admission to hearings to any persons other than the Employer, the contractor and their respective representatives, and to proceed in the absence of any Party who the Adjudicator is satisfied received notice of the hearing.
22. All communications between either of the Parties and the Adjudicator and all hearings shall be in the language of the Adjudicator's Agreement. All such communications shall be copied to the other Party.
23. No later than the sixty days after the day on which the Adjudicator received a reference or, if later, the day on which the Adjudicator's Agreement came into effect, the Adjudicator shall give written notice of his decision to the Parties. Such decision shall include reasons and state that it is given under these Rules.

## Adjudicator's Agreement

Identification of Project:

---

(the "Project")

Name and address of the Employer:

---

(the "Employer")

Name and address of *contractor*:

---

(the "*contractor*")

Name and address of Adjudicator:

---

(the "Adjudicator")

**Whereas** the Employer and the *contractor* have entered into a contract ("the Contract") for the execution of the Project and wish to appoint the Adjudicator to act as adjudicator in accordance with the Rules for Adjudication ["the Rules"].

**The Employer, Contractor and Adjudicator agree as follows:**

1. The Rules and the dispute provisions of the Contract shall form part of this Agreement.

2. The Adjudicator shall be paid:

A retainer fee of \_\_\_\_\_ per  
calendar month  
(where applicable)

A daily fee of \_\_\_\_\_

Expenses (including the cost of telephone calls, courier charges, faxes and telexes incurred in connection with his duties; all reasonable and necessary travel expenses, hotel accommodation and subsistence and other direct travel expenses).

Receipts will be required for all expenses.

3. The Adjudicator agrees to act as adjudicator in accordance with the Rules and has disclosed to the Parties any previous or existing relationship with the Parties or others concerned with the Project.



4. This Agreement shall be governed by the law of Nepal.
5. The language of this Agreement shall be English [or in Nepali if both parties agrees].

SIGNED BY \_\_\_\_\_

for and on behalf of the Employer in the presence of

Witness \_\_\_\_\_

Name \_\_\_\_\_

Address \_\_\_\_\_

Date \_\_\_\_\_

SIGNED BY \_\_\_\_\_

for and on behalf of the *contractor* in the presence of

Witness \_\_\_\_\_

Name \_\_\_\_\_

Address \_\_\_\_\_

Date \_\_\_\_\_

SIGNED BY \_\_\_\_\_

for and on behalf of the Adjudicator in the presence of

Witness \_\_\_\_\_

Name \_\_\_\_\_

Address \_\_\_\_\_

Date \_\_\_\_\_